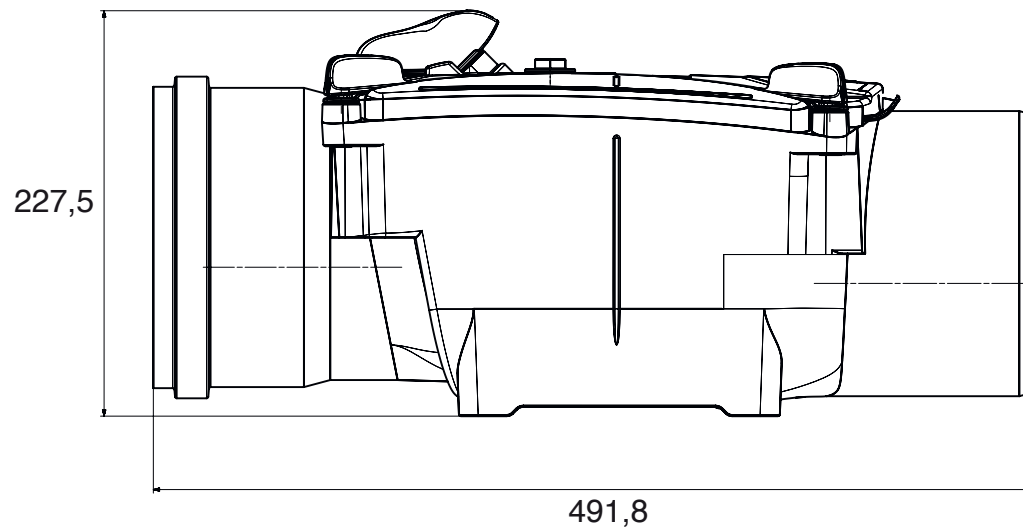
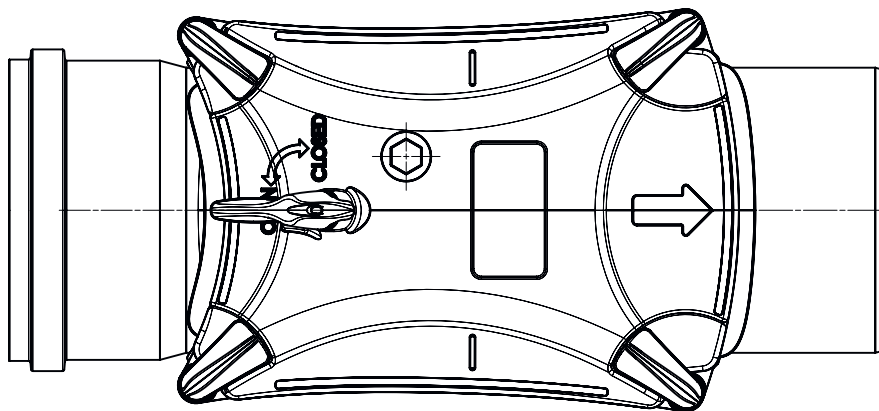
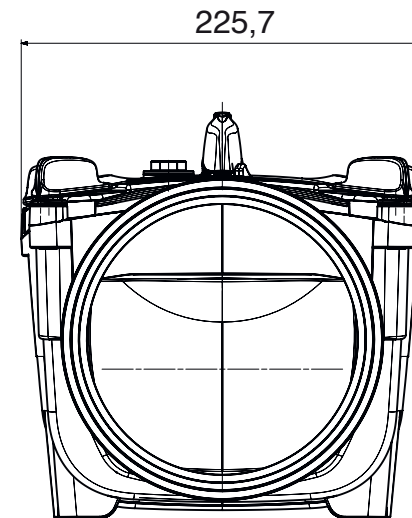


Ø 110 MF O-R

OLLIMA by **REDI**



Ø 160



Ø 160 MF O-R

OLLIMA by REDI